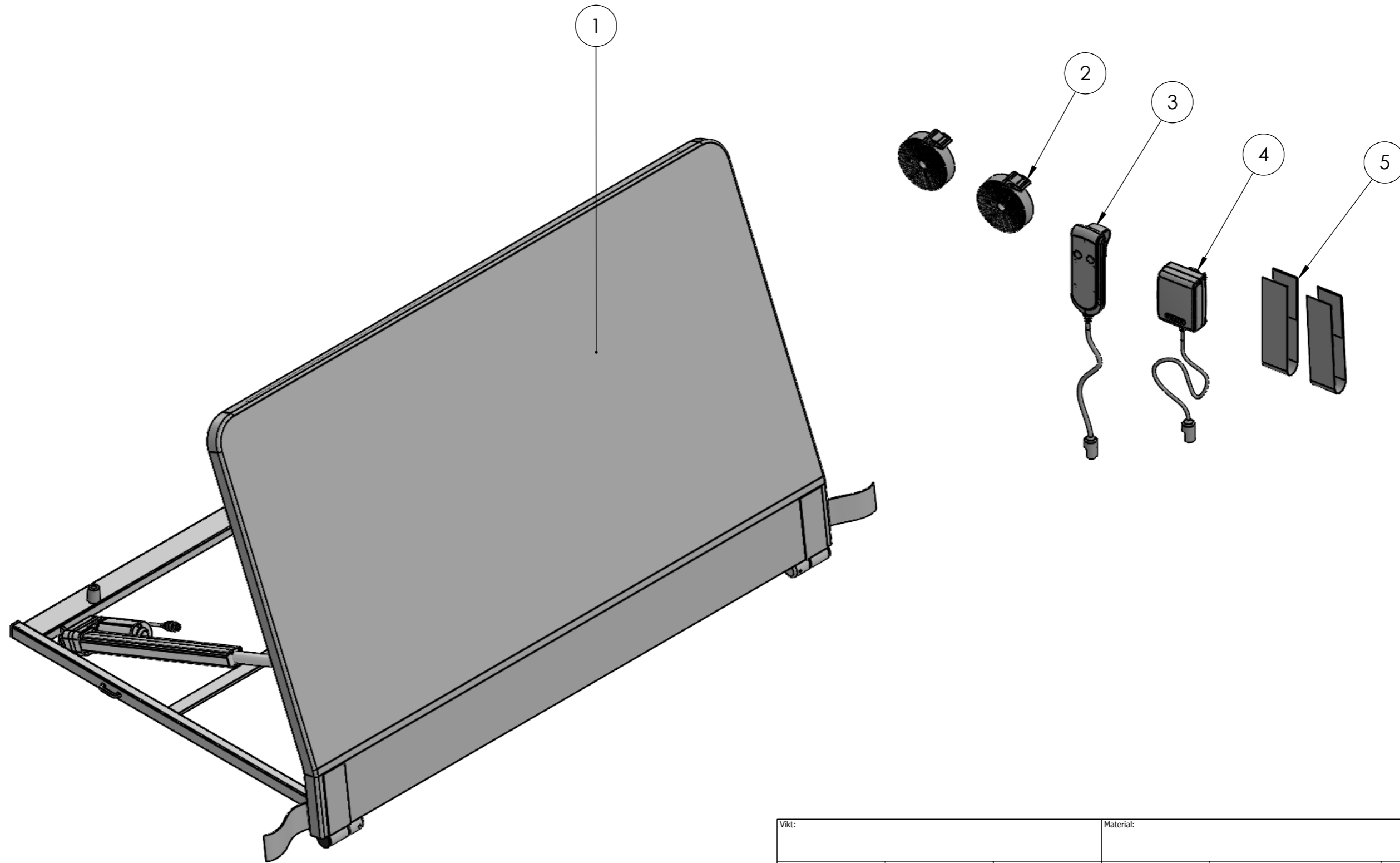
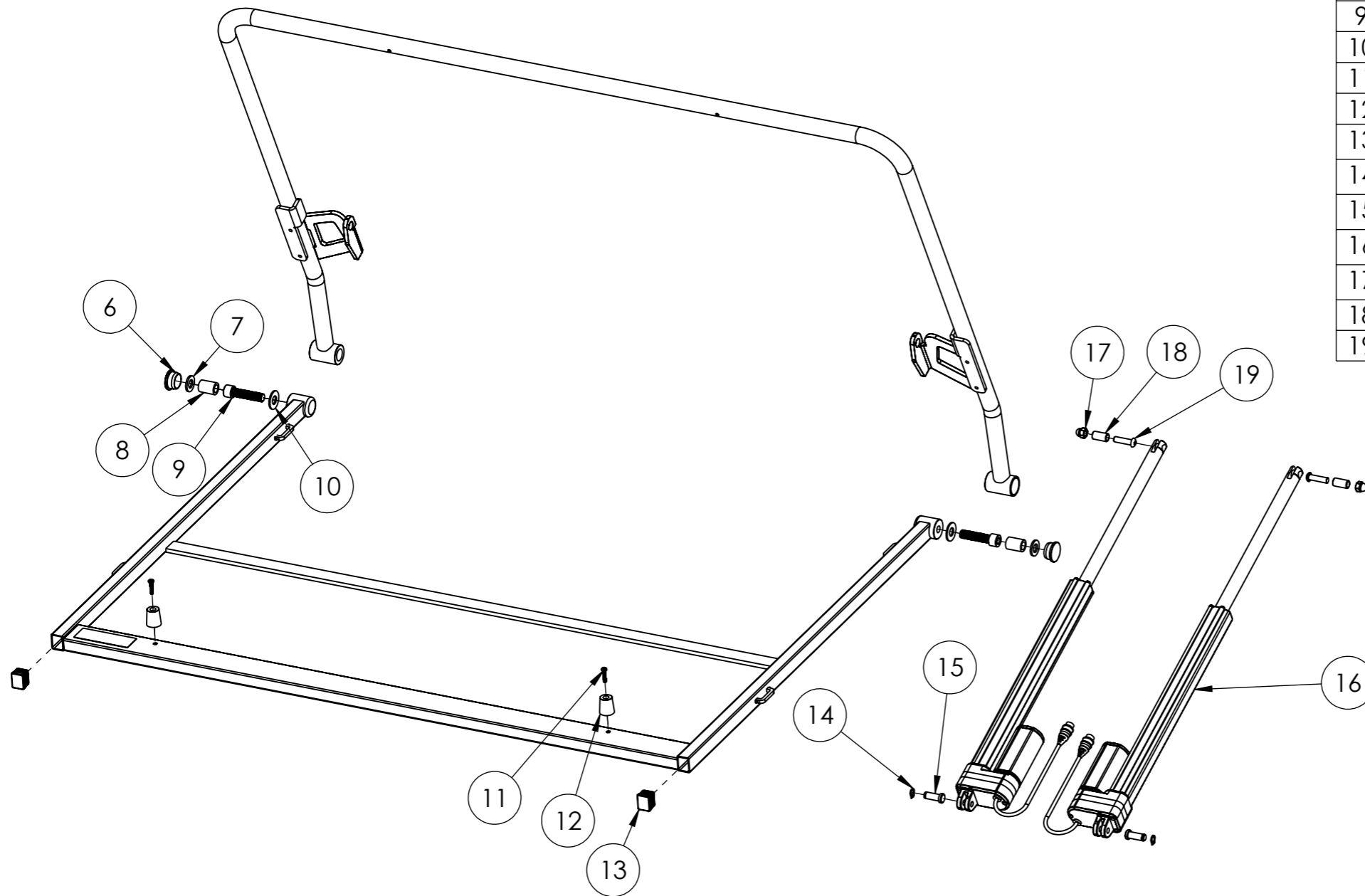


This document is the property of Comfort System Scandinavia Aktiebolag and may not be copied without our written permission, and the contents thereof must not be imparted to a third party nor be used for any unauthorized purpose. Contravention will be prosecuted.


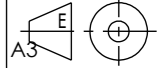


| | | | | | | |
|--|----------|----------------------------|--|--|---------------|--|
| Vikt: | | | Material: | | | |
| Konstruerad Av | Ritad Av | Skapad Datum 2023-01-13 | Godkänd Av | Generell Tolerans: ISO 2768-1 m Bending = c Weld acc. to EN ISO13920 B | Skala 1:7 | |
| Ägare | | | Sökväg | | | |
| Vistakullevägen 18 SE-561 46 Huskvarna Sweden Tel +46 (0)36 515 90 info@comfortsystem.se www.comfortsystem.se | | | Titel / Benämning CS69 Comfortabel Compact | | | |
| | | | Artikel Nr CS69 | Rev 1 | Blad 1 (2) | |

This document is the property of Comfort System Scandinavia Aktieföretag and may not be copied without our written permission, and the contents thereof must not be imparted to a third party nor be used for any unauthorized purpose. Contravention will be prosecuted.



| NR | ART.NR | BESKRIVNING | ANTAL |
|----|--------------|---------------------------|-------|
| 1 | CS169500 | Ryggduk 120 | 1 |
| 2 | CS137650 | Spännband | 2 |
| 3 | TH21-2022-01 | Handkontroll TH21 | 1 |
| 4 | TP8-2022-001 | Powersupply | 1 |
| 5 | CS1375001 | Fästband | 2 |
| 6 | AA201063 | Ändplugg IKPK3026S | 2 |
| 7 | AA202344 | Bricka BRB 13x24x2,5 fzb | 2 |
| 8 | AA202428 | Oljebrossbussning | 2 |
| 9 | AA202211 | MC6S M12x50 8.8 fzb | 2 |
| 10 | AA202219 | Bricka SRKB 12,5x28x2 fzb | 2 |
| 11 | AA208062 | Skruv MRT-TT M4x20 fzb | 2 |
| 12 | KUTS2225S | Kuts Ackurat | 2 |
| 13 | AA201016 | Ändavslut plastfot 20x25 | 2 |
| 14 | AA208093 | Spärring SGA 10 | 2 |
| 15 | CS167105 | Sprint | 2 |
| 16 | CS2C-01 TA16 | Ryggmotor TA16 | 2 |
| 17 | AA202216 | Kupolmutter | 2 |
| 18 | CS137400 | Rördistans Rev 1 | 2 |
| 19 | AA202253 | K6S M8x30 | 2 |

| | | | |
|---|----------|---|---------------|
| Vikt: | | Material: | |
| Konstruerad Av | Ritad Av | Skapad Datum 2023-01-13 | Godkänd Av |
| Ägare | | Sökväg | |
|  Vistakullevägen 18 SE-561 46 Huskvarna Sweden Tel +46 (0)36 515 90 info@comfortsystem.se www.comfortsystem.se | | Generell Tolerans: ISO 2768-1 m Bending = c Weld acc. to EN ISO13920 B | |
| | | Skala 1:8 | |
| Titel / Benämning CS69 Comfortabel Compact 120 | |  | |
| Artikel Nr CS69 | | Rev | Blad 2 (2) |