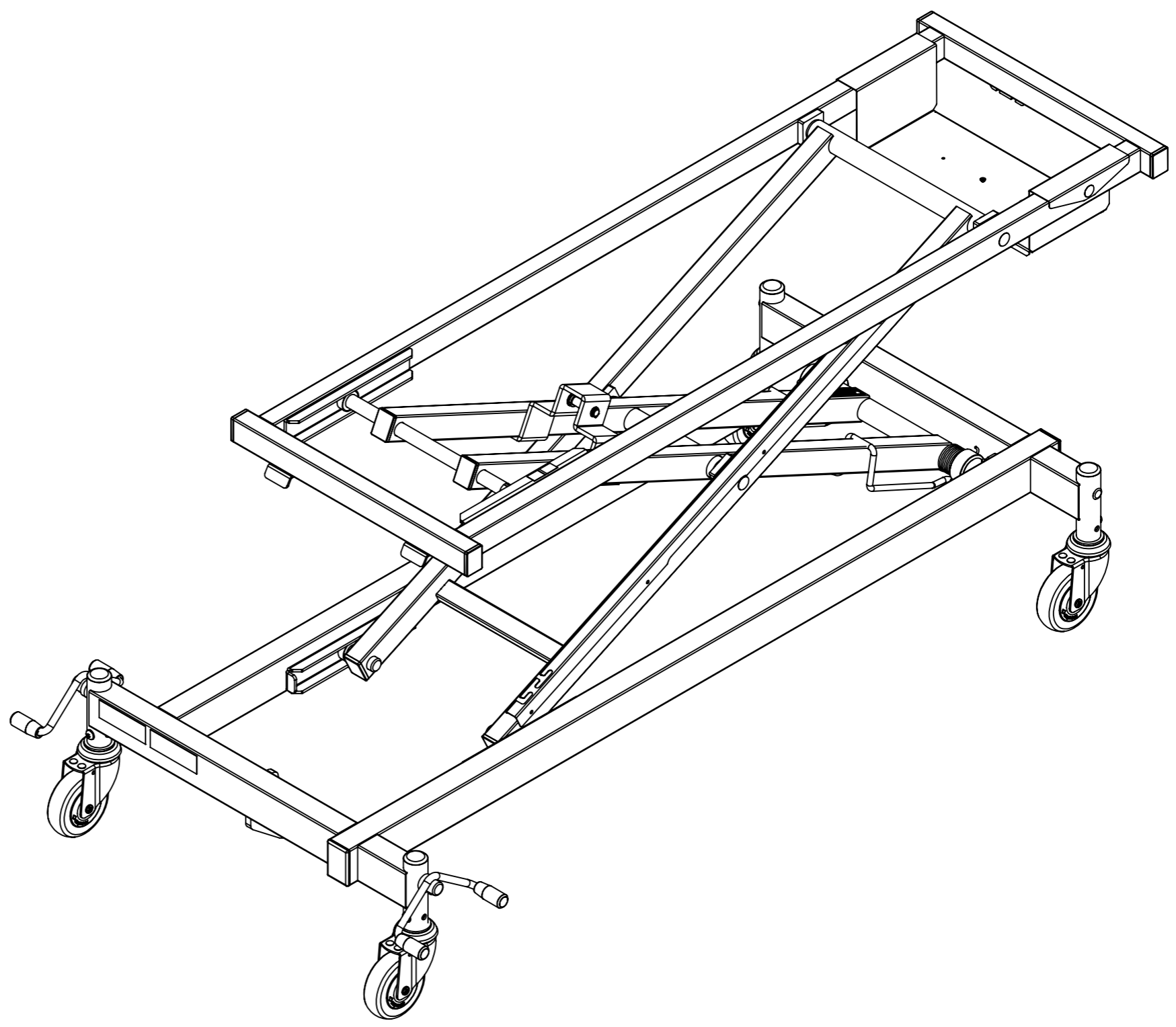



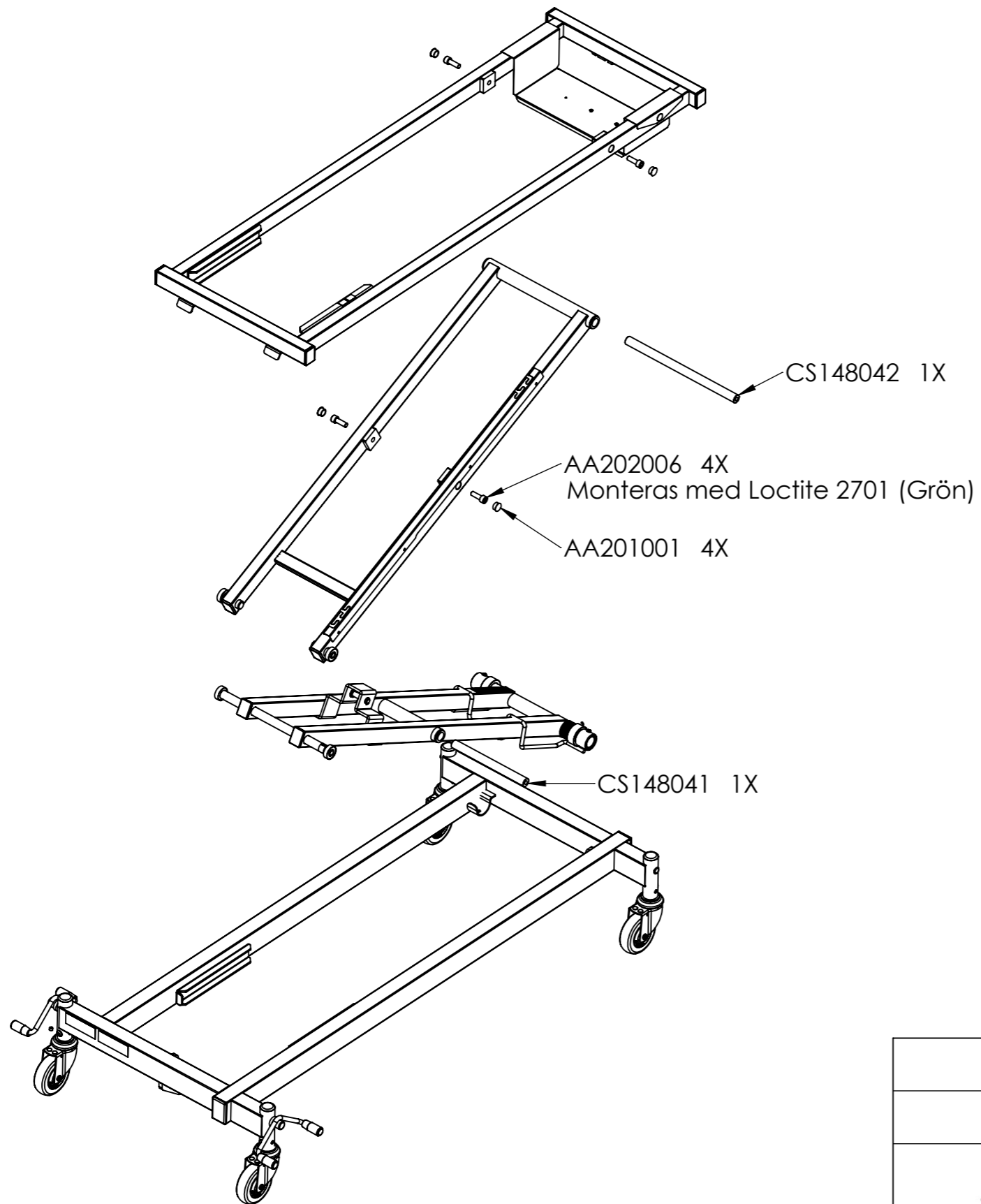
Nr.	Artikel Nr.	Benämning	QTY.
1	CS514000	Saxram inre kpl. med snabbblås	1
2	CS510200	Chassiram C-lås delbar kpl	1
3	CS142100	Lyftram svetsad	1
4	CS143001	Saxram yttre svetsad	1
5	CS149211	Hjul C-låst 100x32 R-hjul lång tapp	1
6	CS149210	Hjul C-låst 100x32 lång tapp	3
7	CS148230	Länk C-låst Komplet	1
8	CS148221	Sexkantstång	1
9	CS148227	Sexkantstång	1
10	CS148801	Fotpedal Höger svetsad	1
11	CS148800	Fotpedal Vänster Svetsad	1
12	AA201002	Ändavslut 30x40x1,5-3	4
13	AA201001	Täckpropp 18 BX DP 687 Heyco	4
14	AA201004	Ändavslut Plastfot 60x40 svart	2
15	AA202096	Ändavslut 40x30x1-3	4
16	AA201223	Handtagsknopp Grön	2
17	AA201222	Handtagsknopp Röd	2
18	AA201219	Ändavslut IKPK 32-29 svart	4
19	AA201007	Täckpropp IKPT 16-14 svart	2
20	AA202013	BPF-F1G12 Låsstift	2
21	AA201070	Lagerbussning	4
22	CS149410	Spårkullager	4
23	AA202001	Glidbussning med fläns	2
24	AA202006	MC6S M10x30 fzb	4
25	AA202004	Spärring SGA 12	1
26	CS068905	CBH bult D12 L=50	1
27	AA201038	Distansbricka 25x13x7 svart	6
28	AA202007	K6S M8x12	4
29	AA202153	Låsbricka 8,4	4
30	AA202045	Stoppskruv M8x6	2
31	AA202341	Låssprint LCS rund 2,5 RF SS2331	1
32		Märketikett Sänglyft CS51.40H100	1
33	P51.002	Dekal Delbar sänglyft läs monteringsanvisning	1
34	P51.004	Dekal Lägesmarkering	1
35	P51.004	Dekal Lägesmarkering	1
36	P51.003	Dekal Låsbygel H-lyft	1
37		Etikett Serienummer	1
38	AA201011	Bricka Nylon 12,8x18x3	2
39	CS148041	Centrumaxel	1
40	CS148042	Gavelaxel	1
41	CS519114	Fästplåt elektronik	1
42	CS148032	Sprint	1
43	AA208078	Skruv MFT-TT M4x8	2




This document is the property of Comfort System Scandinavia Aktiebolag and may not be copied without our written permission, and the contents thereof must not be imparted to a third party nor be used for any unauthorized purpose. Contravention will be prosecuted.

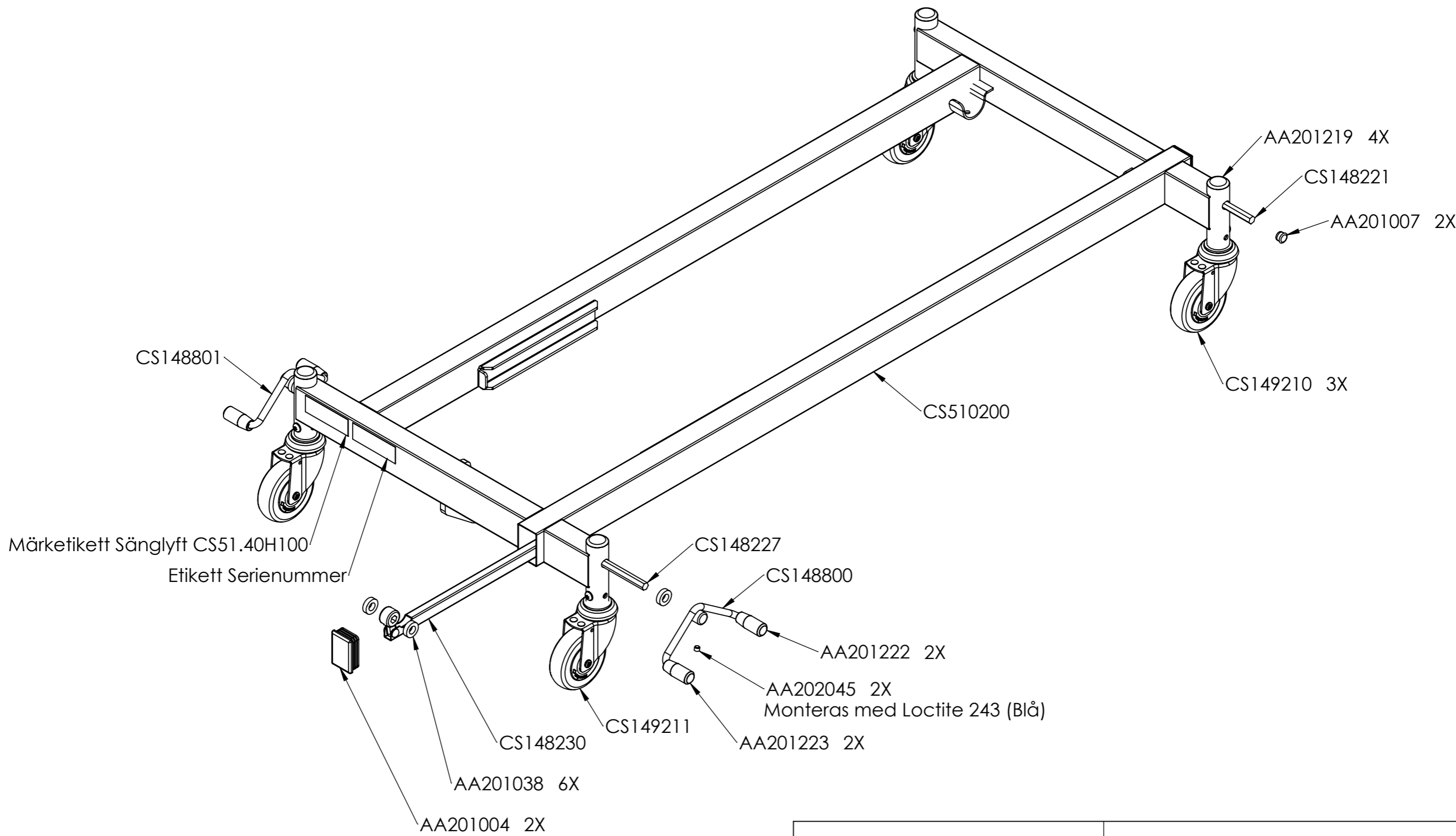
 Vistakullevägen 18 SE-561 46 Huskvarna Sweden Tel +46 (0)36 515 90 info@comfortsystem.se www.comfortsystem.se		Titel / Benämning	
		Sänglyft H100	
Artikel Nr		Rev	Blad
CS51.40H100		1	1 (6)


This document is the property of Comfort System Scandinavia Aktiebolag and may not be copied without our written permission, and the contents thereof must not be imparted to a third party nor be used for any unauthorized purpose. Contravention will be prosecuted.



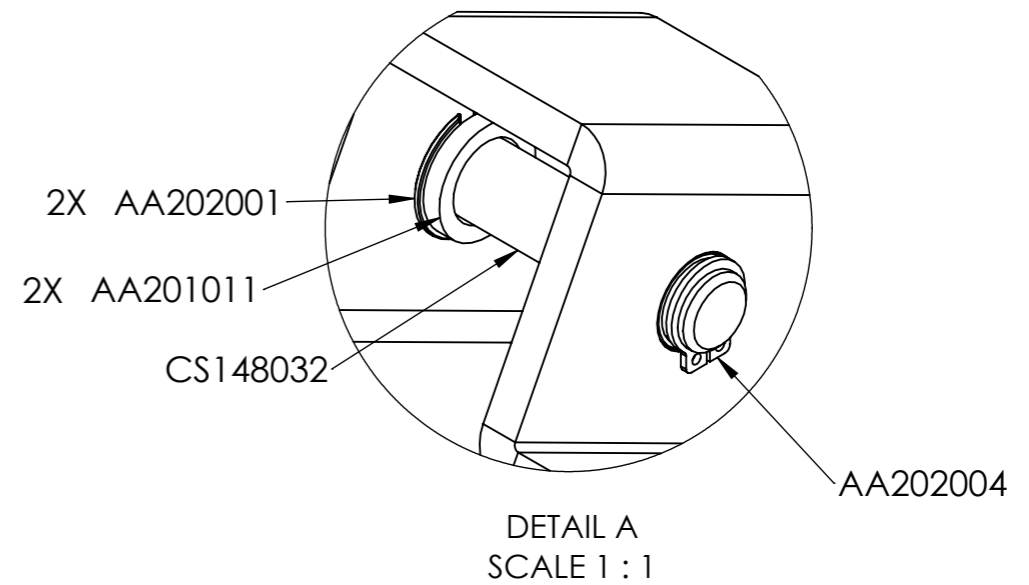
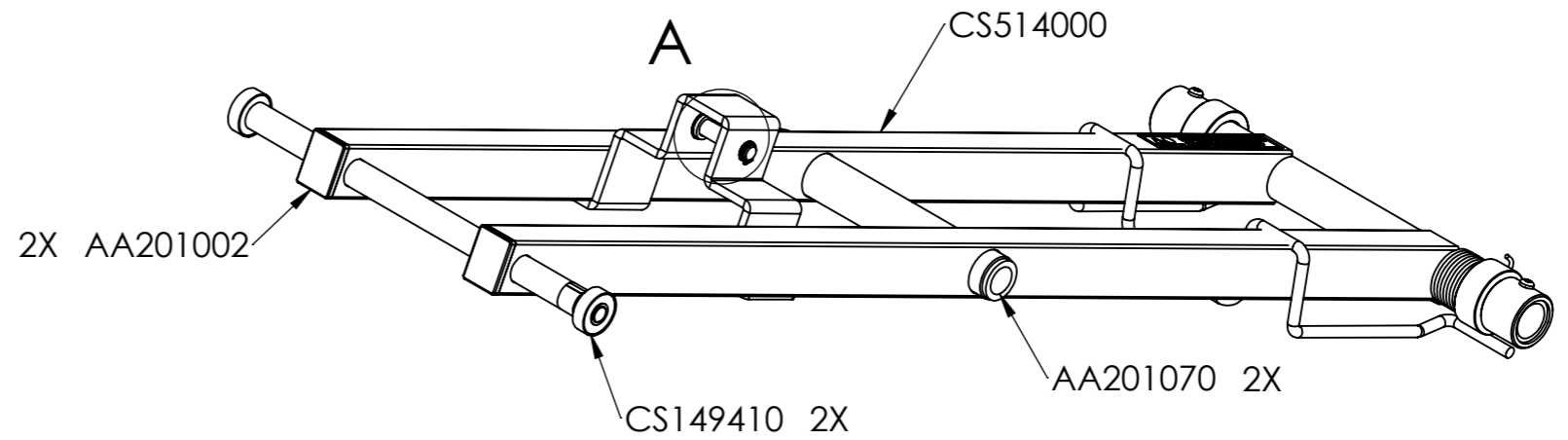
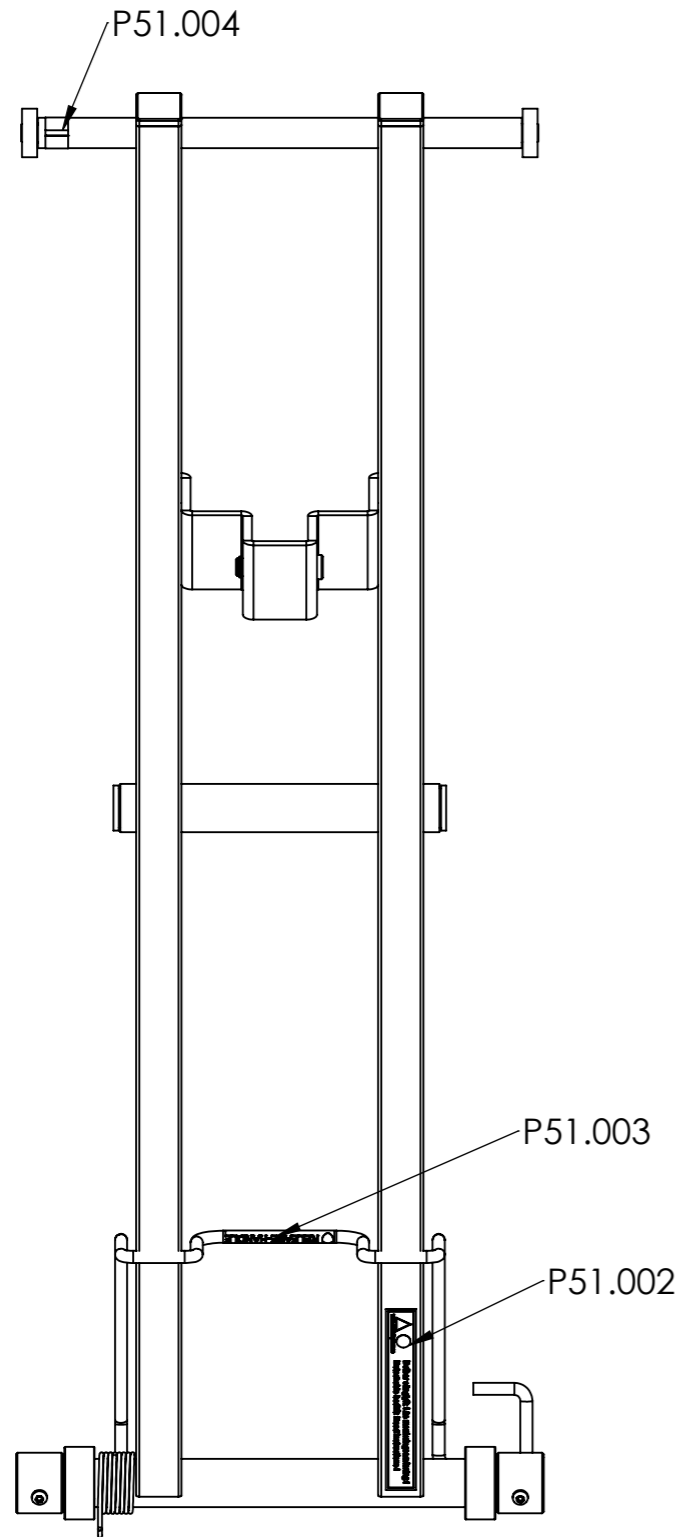
		◀	
 <p> Vistakullevägen 18 SE-561 46 Huskvarna Sweden Tel +46 (0)36 515 90 info@comfortsystem.se www.comfortsystem.se </p>		Titel / Benämning Sänglyft H100	
		Artikel Nr CS51.40H100	Rev 1


This document is the property of Comfort System Scandinavia Aktiebolag and may not be copied without our written permission, and the contents thereof must not be imparted to a third party nor be used for any unauthorized purpose. Contravention will be prosecuted.



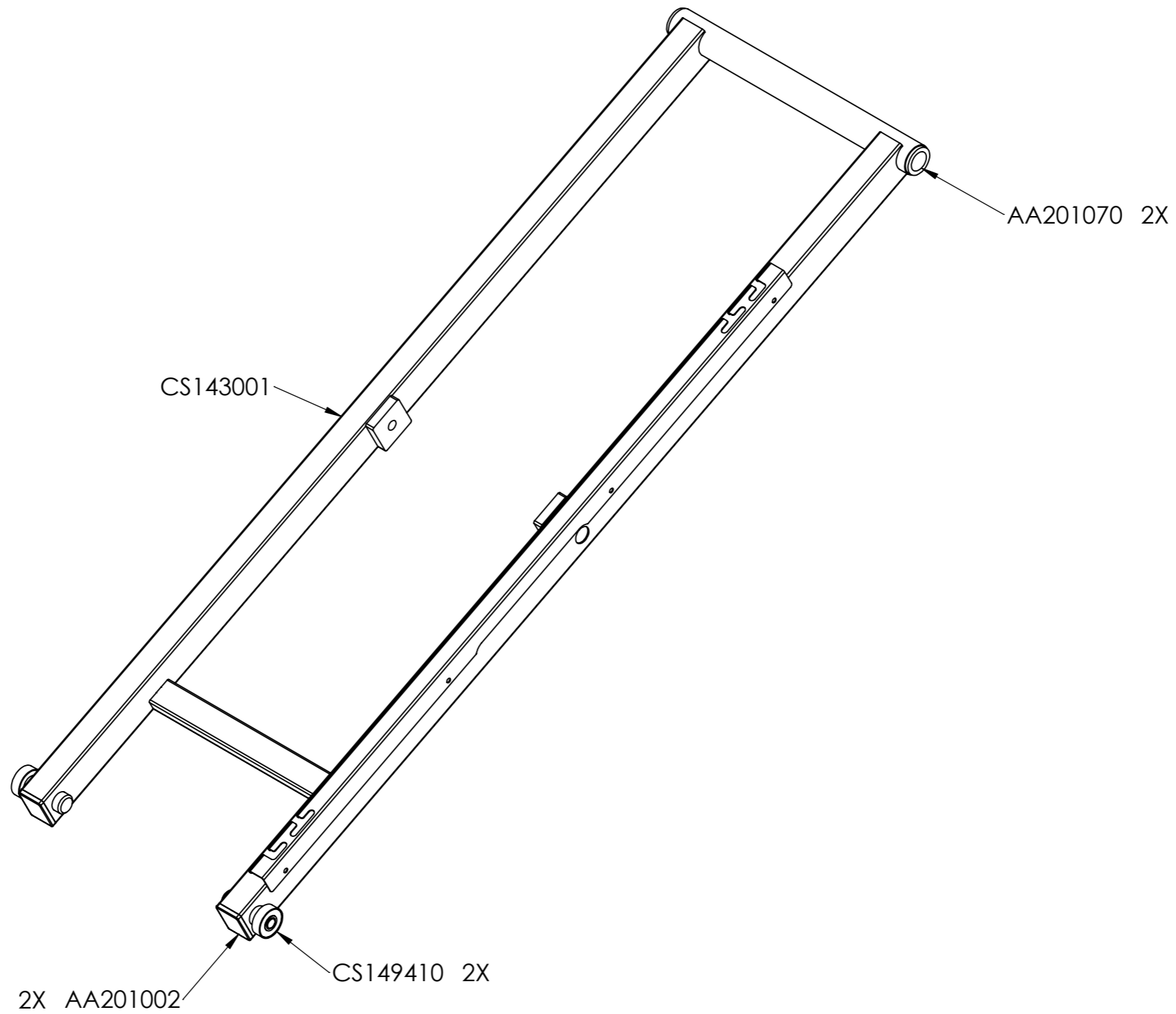
		◀	
 <p> Vistakullevägen 18 SE-561 46 Huskvarna Sweden Tel +46 (0)36 515 90 info@comfortsystem.se www.comfortsystem.se </p>		Titel / Benämning Sänglyft H100	
		Artikel Nr CS51.40H100	Rev 1


This document is the property of Comfort System Scandinavia Aktiebolag and may not be copied without our written permission, and the contents thereof must not be imparted to a third party nor be used for any unauthorized purpose. Contravention will be prosecuted.



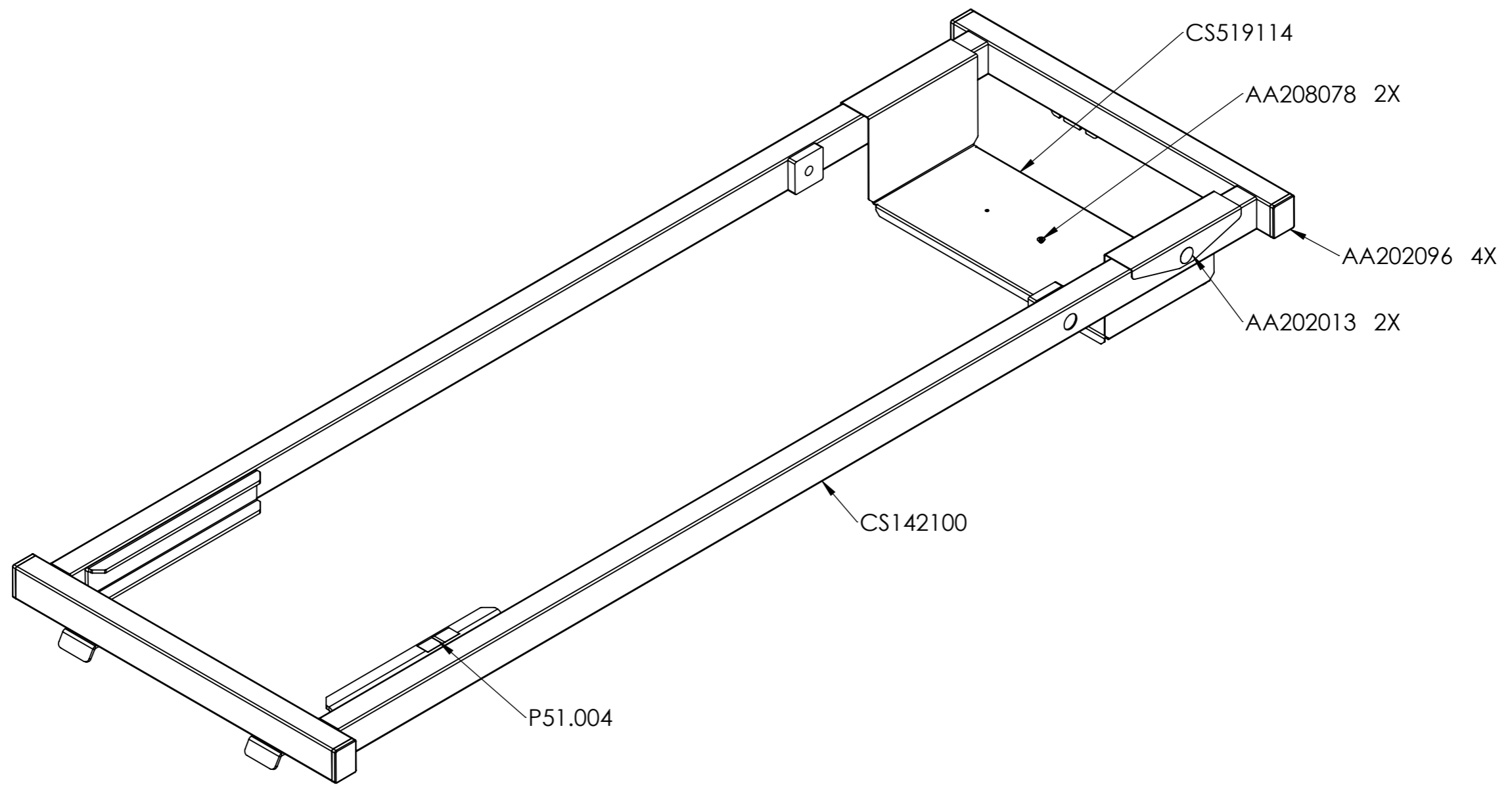
		◀	
 <p>Vistakullevägen 18 SE-561 46 Huskvarna Sweden Tel +46 (0)36 515 90 info@comfortsystem.se www.comfortsystem.se</p>		Titel / Benämning Sänglyft H100	
		Artikel Nr CS51.40H100	Rev 1


This document is the property of Comfort System Scandinavia Aktiebolag and may not be copied without our written permission, and the contents thereof must not be imparted to a third party nor be used for any unauthorized purpose. Contravention will be prosecuted.



		◀	
 <p> Vistakullevägen 18 SE-561 46 Huskvarna Sweden Tel +46 (0)36 515 90 info@comfortsystem.se www.comfortsystem.se </p>		Titel / Benämning Sänglyft H100	
		Artikel Nr CS51.40H100	Rev 1

This document is the property of Comfort System Scandinavia Aktiebolag and may not be copied without our written permission, and the contents thereof must not be imparted to a third party nor be used for any unauthorized purpose. Contravention will be prosecuted.



		◀	
 <p> Vistakullevägen 18 SE-561 46 Huskvarna Sweden Tel +46 (0)36 515 90 info@comfortsystem.se www.comfortsystem.se </p>		Titel / Benämning Sänglyft H100	
		Artikel Nr CS51.40H100	Rev 1