



Instructions for users of Comfort Grab Rail SV45



The grab rail fulfils the applicable parts of the requirements in the bed standard EN 1970:2000 and it is designed to be used as a handicap aid, for home care or similar. The grab rail is intended for individuals older than 12 years of age.



*Read the instructions
before using the bed!*



ComfortSystem

– our experience is your guarantee






1. Assembly Instructions

Comfort Grab Rail SV45

1.1 Assembly

The SV45 grab rail is attached to the sprung base's longitudinal metal profile and it can be mounted on the right or left side of the bed.

 When attaching the grab rail SV 45, there must be a maximum of 6 cm or at least 32 cm between the grab rail and the bed end. (**see figure 1**)!

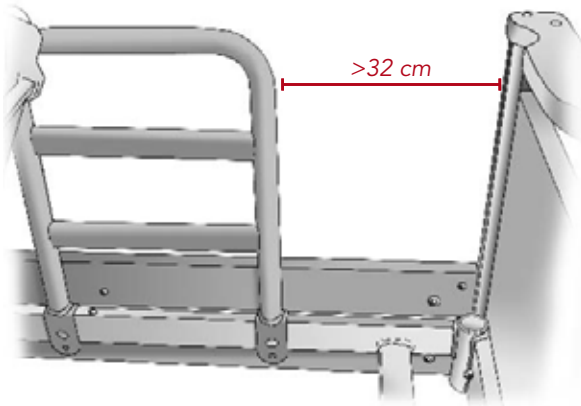


Figure 1



1. Place the grab rail, as shown in **figure 2** (the large lower hole has to be turned inwards).

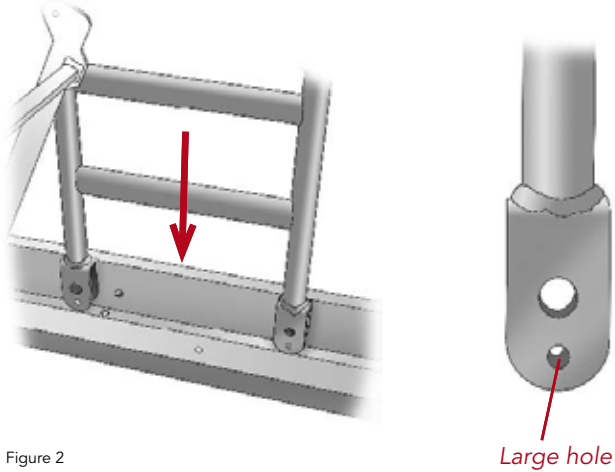


Figure 2

2. Screw the grab rail firmly in place using the star knob with bolt, as shown in **figure 3**.



Check that the grab rail sits firmly.

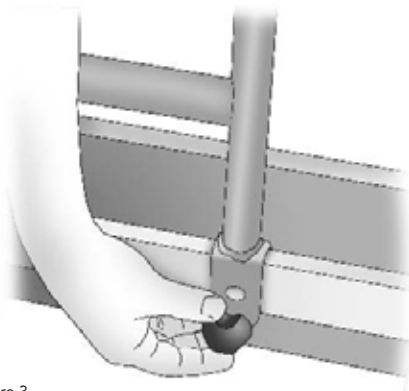


Figure 3



1.2 Removal

1. Loosen the star knobs. **Figure 4.**

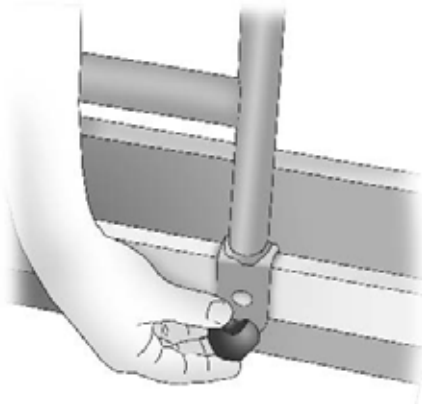


Figure 4

2. Lift up the grab rail. **Figure 5.**

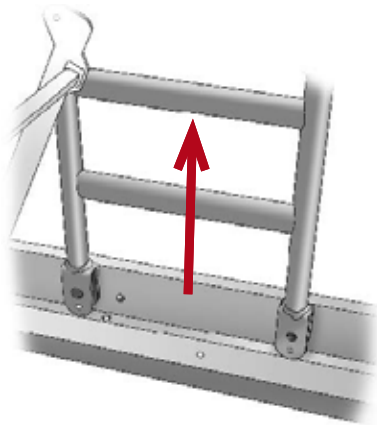


Figure 5



2. Care Instructions

The SV45 grab rail does not normally require regular maintenance.

2.1 Normal cleaning

– The grab rail can be cleaned with readily available cleansers and disinfectants.

Apply with a damp cloth.

2.2 Regular inspection

- Regularly check that the grab rail sits firmly on the sprung base.

2.3 Load

- Load 75 kg (not user weight)

3. Field of application

It is intended to be used as an aid when changing position in bed or when moving to/from bed.

The SV45/SV45H grab rail may only be assembled on Comfort QVINTETT and QVARTETT beds manufactured after 1995.

The SV45-2000 grab rail may only be assembled on Comfort QVINTETT 2000 beds manufactured after 2000.



ComfortSystem – *our experience is your guarantee*

Our experience - your guarantee

Since its start in 1987, Comfort System has kept more or less the same ownership and has operated under the same name – a fact that is almost unique today in the branch. Our long experience and knowledge of our product assortment, means that as a customer you can feel secure in your choice of supplier.



ComfortSystem

– our experience is your guarantee

ComfortSystem Scandinavia AB • Box 4034 • Vistakullevägen 18 • 561 04 HUSKVARNA • Sweden
Tfn +46 (0)36 51590 • Fax +46 (0)36 50001 • info@Comfortsystem.se • www.comfortsystem.se